



	FR	EN	DE	NL
<b>Figure 1</b>	Montage mural	Wall mounting	Wandmontage	Wandmontage
	FR	EN	DE	NL
<b>Figure 2</b>	BOX2 55W	BOX2 55W	BOX2 55W	BOX2 55W
<b>A</b>	Câble d'entrée	Cable input	Kabel-Eingang	Kabelinvoer
<b>B</b>	Bouton poussoir déconnexion backup	Disconnect backup push-button	Drucktaster für Backup-Trennung	Drukknop voor back-up loskoppelen
<b>C</b>	Port Ethernet de liaison montante : 10/100/1000 Mbps	Uplink Ethernet port: 10/100/1000 Mbps	Uplink-Ethernet-port: 10/100/1000 Mbps	Uplink Ethernet poort: 10/100/1000 Mbps
<b>D</b>	Ports Ethernet de liaison descendante : 10/100 Mbps	Downlink Ethernet ports: 10/100 Mbps	Downlink-Ethernet-ports: 10/100 Mbps	Downlink Ethernet poorten: 10/100 Mbps

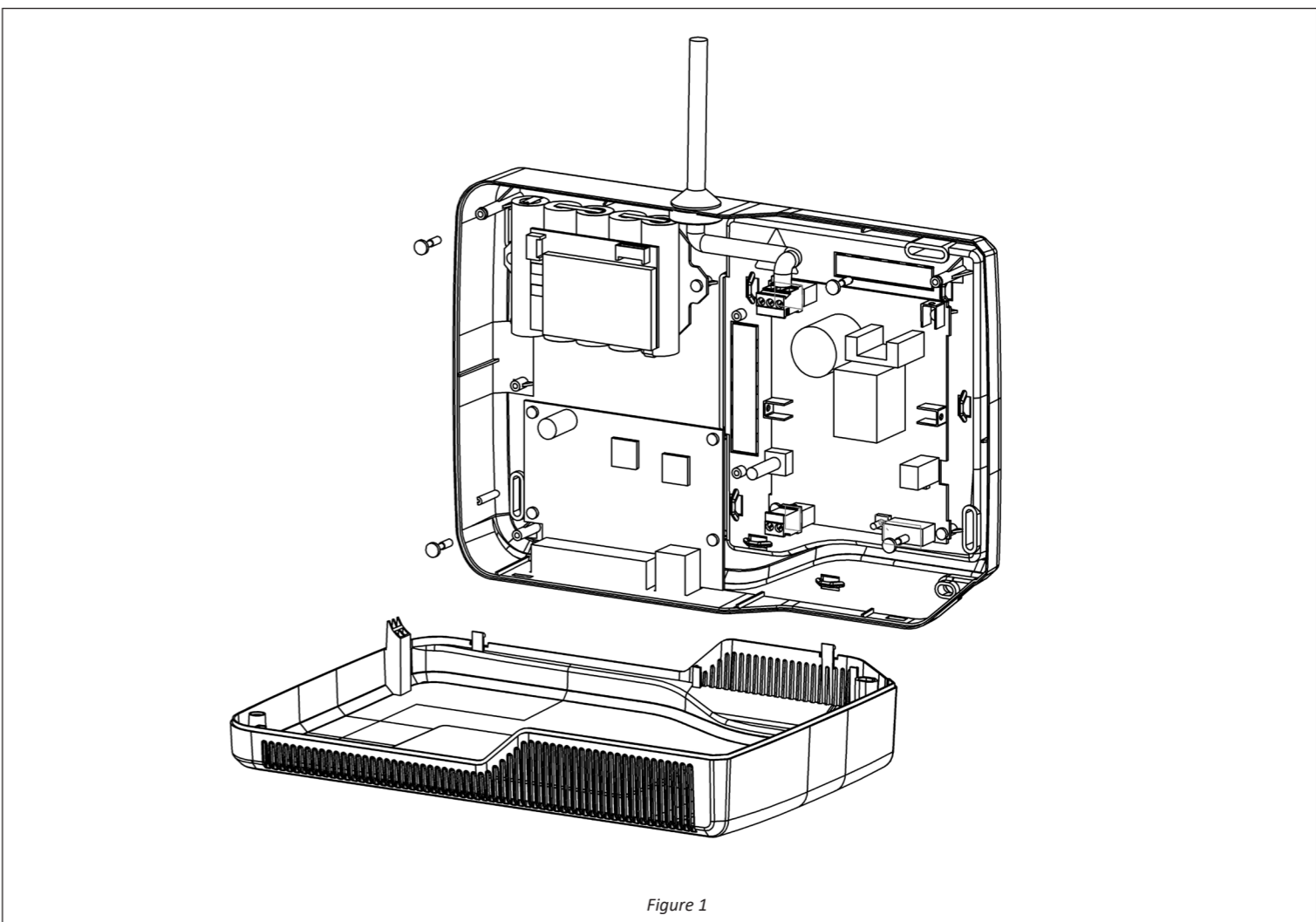


Figure 1

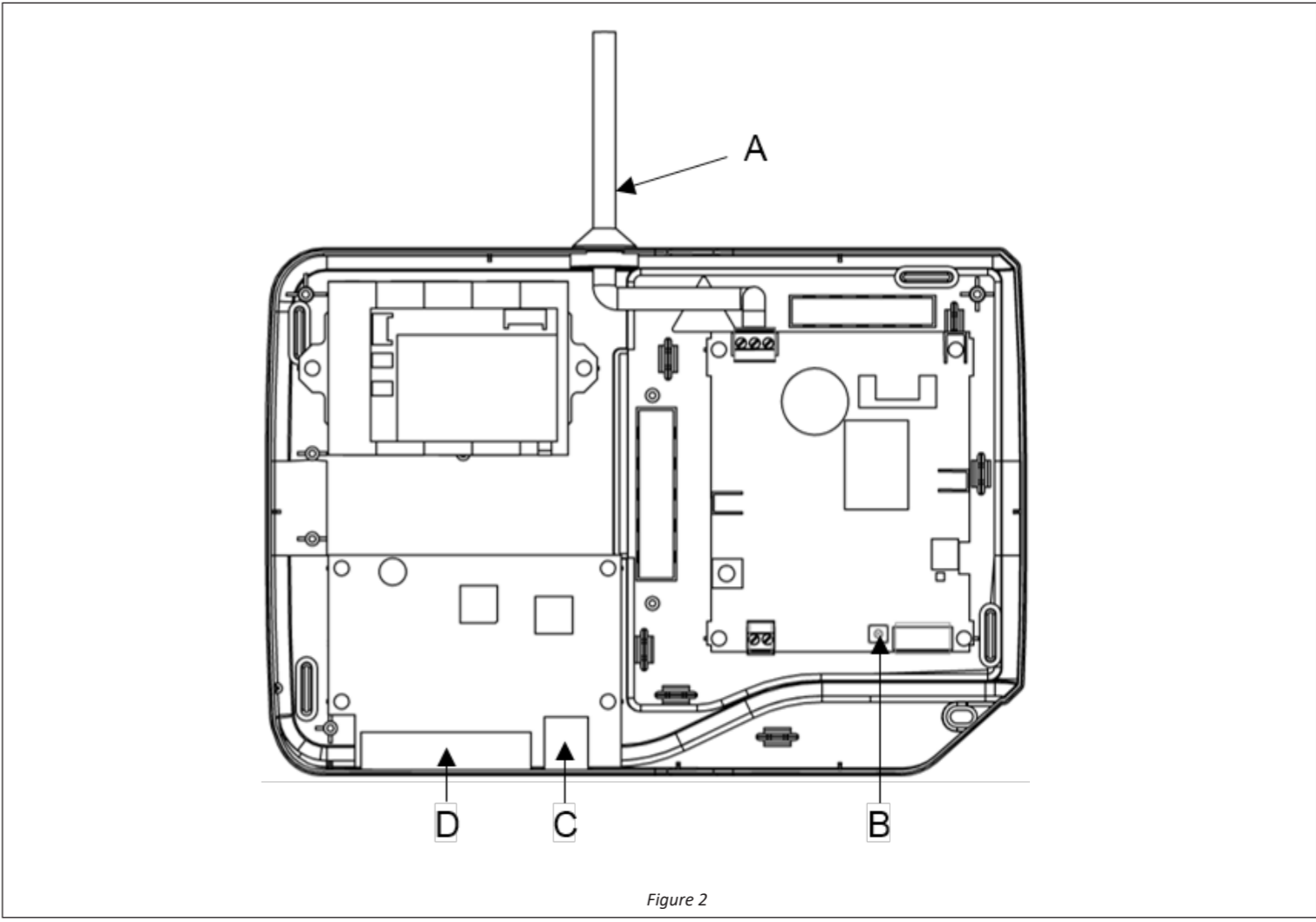


Figure 2